

# HINO 338

4 x 2 CONVENTIONAL  
 GVW 33,000 lbs. BBC 108"  
 ENGINE MODEL J08E-TB (Turbo Intercooled)

## DIMENSIONS (On standard specification)

Production code		NV8JLSA	NV8JMSA	NV8JPSA	NV8JRSA	NV8JTSA	NV8JVSA
Wheelbase code		L	M	P	R	T	V
Wheelbase	A in.	187.0	205.0	217.0	235.0	253.0	271.0
Overall length	B in.	302.6	320.6	354.6	372.6	390.6	390.6
Overall width	C in.	96.5	96.5	96.5	96.5	96.5	96.5
Overall height	D in.	106.9	106.9	106.9	106.9	106.9	106.9
Cab to axle	E in.	119.6	137.6	149.6	167.6	185.6	203.6
Rear overhang	F in.	75.0	75.0	97.0	97.0	97.0	79
Frame height at							
Front axle	G in.	36.8	36.8	36.8	36.8	36.8	36.8
Rear axle	H in.	40.6	40.6	40.6	40.6	40.6	40.6
Road clearance (at diff.axle)	J in.	11.2	11.2	11.2	11.2	11.2	11.2
Tread							
Front	K in.	79.3	79.3	79.3	79.3	79.3	79.3
Rear	L in.	72.2	72.2	72.2	72.2	72.2	72.2
Cab height	in.	69.0	69.0	69.0	69.0	69.0	69.0
Turning radius 180°							
Tire	in.	605.5	657.5	692.1	744.9	796.8	849.6
Wall to wall	in.	646.5	698.4	733.1	785.8	837.8	890.6

## CHASSIS WEIGHTS (On std. spec.)

Total weight	MT lb.	9,955	10,065	10,175	10,230	10,540	10,525
Front axle	MT lb.	6,150	6,250	6,260	6,330	6,405	6,555
Rear axle	MT lb.	3,805	3,815	3,915	3,900	4,135	3,970
Total weight	AT lb.	10,195	10,295	10,405	10,460	10,780	10,770
Front axle	AT lb.	6,350	6,435	6,460	6,535	6,615	6,770
Rear axle	AT lb.	3,845	3,860	3,945	3,925	4,165	4,000

## POWER LINE & PERFORMANCE 33,000 lbs. GVW

11.00R22.5-14 tires. (Option ratio is combined with 295/75R22.5 tire.)

Power line	Manual		Automatic	
	STD.	OPT.	OPT.	OPT.
Max. speed mph	76	78	74	76
Transmission Model	Eaton FS6406A		Allison 3000RDS	
Type	Six-speed Direct drive synchromesh 1st-6th		Five-speed automatic	
Ratios	1st.	9.010	3.487	
	2nd.	5.270	1.864	
	3rd.	3.220	1.409	
	4th.	2.040	1.000	
	5th.	1.360	0.750	
	6th.	1.000	-	
Rev.	8.630	5.027		
Rear axle gear ratios	4.110	3.900	5.570	5.290

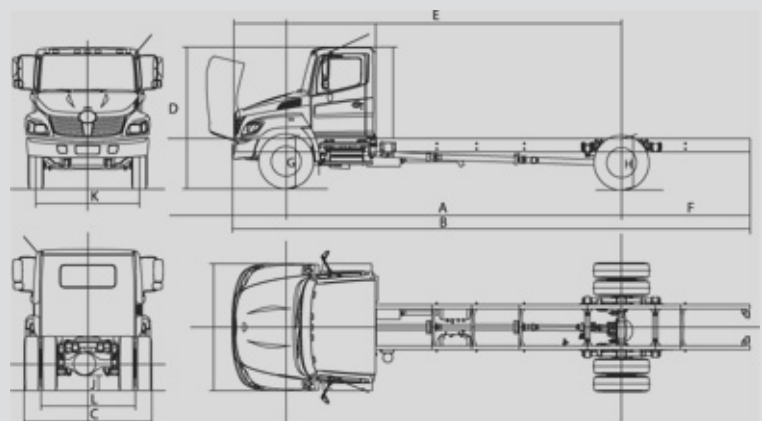
## ENGINE

Model	HINO J08E-TB - 2004 EPA Certified
Type	Diesel 4-cycle, 6-cylinder in-line, water-cooled
Combustion system	Direct injection type
Max. output (SAE Gross)	260HP at 2,500 rpm
Max. torque (SAE Gross)	585 lb.-ft. at 1,500 rpm
Bore and stroke	4.41 x 5.12 in.
Piston displacement	8 L
Fuel system	Common rail
Governor	Electronically controlled
Intake system	Turbocharged and intercooled
Air cleaner	Paper filter type ("DONALDSON")
Air Compressor Type	Single cylinder, water-cooled
Fan clutch	Bimetal thermostat sensor, regulates fan speed



A TOYOTA Group Company

WWW.HINO.COM [T]248.648 6400



SEE THE 338 IN ACTION AT WWW.HINO.COM

# HINO 338

4 x 2 CONVENTIONAL, GVW 33,000 lbs. BBC 108"  
ENGINE MODEL J08E-TB (Turbo Intercooled) Spec. No. SS-NV007

## WEIGHT CAPACITIES

Front axle	lbs.	12,000
Rear axle	lbs.	21,000
Front spring	lbs.	12,000
Rear spring	lbs.	21,000

## LIQUID CAPACITIES

Fuel tank	gal./US	52
Cooling system	gal./US	5.68 : Allison3000RDS 5.55 : Eaton FS6406A

## AXLE / SUSPENSION

Front axle	MFS-12 series reversed Elliot, "I" beam
Front spring	Taper-leaf springs shock absorbers
Rear axle	RS21-145 series full-floating, single reduction single-speed by hypoid gearings
Rear spring	Semi-elliptic main and auxiliary helper-leaf spring

## FRAME

Ladder type	Straight C channel	
Width	in.	34 : W/B=187-235 34.1 : W/B=253-271
Yield strength	PSI	80,000
Resisting bending moment (one side)	in_ lbs.	1,280,800 no reinforcement

## BRAKES

Service brake	Full air, dual circuit, "S" cam type, leading & trailing shoes, with automatic adjustment
Drum diameter x lining width x thickness in.	Front; 15 x 4 x 0.73 Rear; 16.5 x 7 x 0.85
Control	Full air dual circuit with Antilock Brake System(ABS)
Parking brake	Spring brake acting on rear wheels
Air dryer	Equipped for air tank

## CLUTCH

Type	Dry single plate with damper springs EATON-SPICER SAS1401 series
Facing material	Cerametallic
Facing outside diameter in.	13.80
Control	Hydraulic

## STEERING

Type	Telescopic and tilt steering column TRW-TAS65
------	---

## WHEELS / TIRES

6 Wheels (Steel)	22.5 x 8.25 10-stud disc.
6 Tires	11R22.5(G) - Bridgestone R250F/M726

## CHASSIS EQUIPMENT

Fuel pre-filter	Pre-filter (dust) and sedimenter (water)
Reflectors	Two rear, two front side
Hook	One at front

## DASH INSTRUMENTATION

Meters and gauges	ft. lb. system
	Speedometer-mph (km/h)
	Odometer (mile)
	Fuel gauge
	Coolant temperature gauge
	Engine tachometer
Warning and buzzers	
	Oil pressure warning lamp and buzzer
	Air pressure warning lamp and buzzer
	Coolant level warning lamp and buzzer
	Battery charging warning lamp
	High beam indicator lamp
	Turn signal pilot lamp
	Parking brake warning lamp
	Engine control system warning lamp
	ABS warning lamp

## CAB EQUIPMENT

Cab construction	All steel welded
Seating	Three man
Driver's seat	Air suspension, adjustable reclining, vinyl
Passenger's seat	Bench type, vinyl, 2 passenger
Seat belts	3-point type (driver and passenger), one 2-point type (center)
Air conditioner	Denso 134
Heater/Defroster	18,357 BTU/h
Mirrors outside rearview	Four, 1flat and 1convex at each side
Sun visors	Two
Windshield	Laminated
Windshield wipers	Dual electric, 2-speed and intermittent
Cruise control	Equipped

## ELECTRICAL EQUIPMENT

Batteries	Two, parallel connection, each 12 V
Capacity	1200 CCA
Alternator	12 V, 100 A, brush (Delco)
Starter	12 V, 4.8 kW
Audio	AM/FM radio with CD player
Headlamps	Integrated with turn signal and hazard lamp
Daytime running lamps	
Back-up lamps	
Dome lamp	
Front side marker lamps	
Clearance lamps (front)	

## Options

<input type="checkbox"/>	Cold weather package (Block heater, heated mirror, glow plugs, heated pre-filter/sedimenter and heated air drier)
<input type="checkbox"/>	Cloth seats
<input type="checkbox"/>	Single passenger's seat - Adjustable reclining
<input type="checkbox"/>	Clutch control with auto adjuster (1401 SOLO)
<input type="checkbox"/>	Twin plate clutch (1402)
<input type="checkbox"/>	Twin plate clutch control, auto adjuster (1402)
<input type="checkbox"/>	Alternator - 12 V, 105 A, brushless (Denso)
<input type="checkbox"/>	Dual fuel tank; 52 Gal x 2
<input type="checkbox"/>	Fuel tank; 95 Gal
<input type="checkbox"/>	Fuel filter; Davco
<input type="checkbox"/>	Rear spring; with stabilizer
<input type="checkbox"/>	Rear spring; with dual acting shock absorbers
<input type="checkbox"/>	21,000 lb Hendrickson rear air suspension (wheelbase P, R, T & V)
<input type="checkbox"/>	23,000 lb rear axle rating
<input type="checkbox"/>	Tire size; 295/75R22.5
<input type="checkbox"/>	4 inch extended, front bumper (black)
<input type="checkbox"/>	3 piece, front bumper
<input type="checkbox"/>	4 inch extended, 3 piece, front bumper (black)
<input type="checkbox"/>	Power windows
<input type="checkbox"/>	Battery GR31
<input type="checkbox"/>	Battery GR27 x 3
<input type="checkbox"/>	Battery GR31 x 2
<input type="checkbox"/>	Engine block heater
<input type="checkbox"/>	Heated mirrors

**NOTE :** All specifications of the products are within normal manufacturing allowances and tolerances. HINO MOTORS SALES U.S.A.,INC. reserves the right to alter specifications at any time without previous notice. Some optional items of equipment may require extra time due to the need for their adaptation on the product line.

